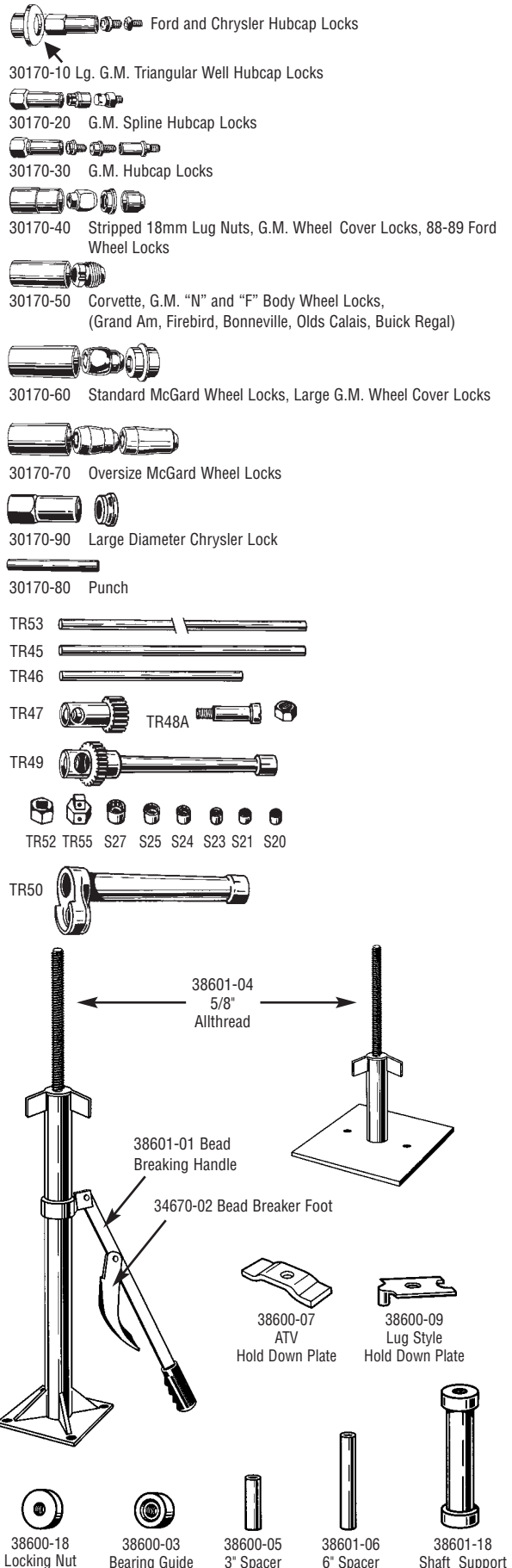


REPAIR PARTS AND ACCESSORIES

DESCRIPTION	ITEM NO.	FOR MODEL NO.
30170-10 Ford/Chrysler Hubcap Locks	30170-10	30170
30170-20 GM Spline Hubcap Locks	30170-20	30170
30170-30 GM Hubcap Locks	30170-30	30170
30170-40 GM Wheel Cover Locks	30170-40	30170
30170-50 Corvette GM N & F Body	30170-50	30170
30170-60 Std. McGard Lg. GM Wheel Cover Lock	30170-60	30170
30170-70 Oversize McGard Wheel Locks	30170-70	30170
30170-80 Punch	30170-80	30170
30170-90 Large Dia. Chrysler Lock Repair Kit	30170-90 31237-99	30170 31237 T137
B261 Head Assembly W/O Bubble	31360-01	31360 B260
B260-2 Bubble Plate X-062A	31360-02	31360 B260
B260-3 Bubble Spring X062B	31360-03	31360 B260
B260-6 2 Pivot Pins	31360-06	31360 B260
B260-8 Center Post	31360-08	31360 B260
B260-10 Base	31360-10	31360 B260
B262 Bubble Repair Kit	31360-99	31360 B260
T133-1 Release Valve	31433-01	31433 T133
T54-1 0 Foot	31554-10	31554 T54
T54-12 Bar & Assembly	31554-12	31554 T54
T54A Repair Kit for T54	31554-99	31554 T54
T49-1 Straight Iron for T49	32049-01	32049 T49
T49-2 Curved Iron for T49	32049-02	32049 T49
TR43-1 Power Wrench Assembly	34543-01	34543 TR43
TR45 Bar Handle 20-1/2" Lg.	34543-02	34543 TR43
TR46 Handle 20" Tube	34543-03	34543 TR43
TR47 Pinion Gear	34543-04	34543 TR43
TR48A Pinion Stud & Nut	34543-05	34543 TR43
TR49 Inner Wrench	34543-07	34543 TR43
TR50 Outer Wrench	34543-11	34543 TR43
TR52 13/16" Square Adapter	34543-15	34543 TR43
TR53 36" Tube Handle	34543-16	34543 TR43
TR55 3/4" Service Adapter	34543-17	34543 TR43
Glue Kit (TG11BH, TG11CH), TG31H	35211-01	
TG11DH-1 Nu-Lok Adapter	35227-01	35227 TG11D
TG11EH-1 Nu-Lok Adapter	35229-01	35229 TG11E
T24B-11 Vinyl Grip	35924-11	35924 T24B
T26B-11 Vinyl Grip	35926-11	35926 T26B
T98-16 Fishtail Sub-Assembly	35998-16	35998 T98
T98-18 Handle	35998-18	35998 T98
T99B-26 Handle	35999-26	35999 T99B
Hand-Held Bead Breaker	32124-01	38600
Bead Breaker Foot	34670-02	38600 38601
Bearing Guide	38600-03	38600 38601
3" Spacer	38600-05	38600 38601
ATV Hold Down Plate	38600-07	38600 38601
Lug Style Hold Down Plate	38600-09	38600 38601
Locking Nut	38600-18	38600 38601
Bead Breaking Handle	38601-01	38601
5/8" Acme Allthread	38601-04	38601
T601 6" Spacer	38601-06	38601 38600
Shaft Support Barrel	38601-18	38601
2 Clevis Pins, 2 washers, 2 Cotter Pins, 1 Bead Breaker	38601-40	38601



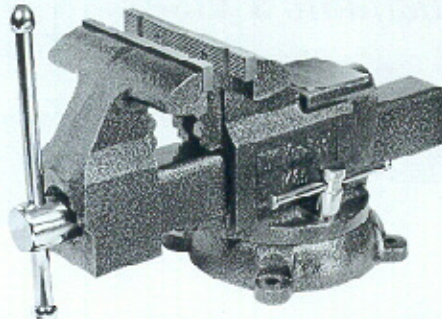


OWNER'S MANUAL / REPAIR PARTS

Professional Workshop Vises

K55 (64055)

K65 (64065)

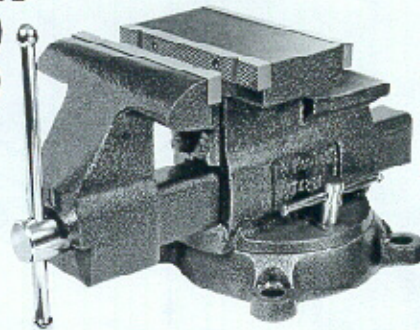


Professional Reversible

Mechanic's Vises

KT4650 (64650)

KT4800 (64800)



- Cast iron jaw with heavy internal ribs for added strength. Pipe jaws are permanently cast in for greater channel strength.
- Cast iron back jaw designed for exceptional alignment with the front jaw.
- "V" notched, replaceable/reversible jaws made of carbon steel and heat-treated for extra strength, diamond cut on one side - smooth on the other.
- Specially designed spring loaded handle and screw guarantees quick jaw response.
- Front jaw beam covers and protects screw.
- Steel handle balls forged from handle stock.
- Large ground and polished anvils.
- Precision engineered nut and back jaw assures positive alignment.
- Cast iron base with four mounting holes for greater stability.
- 360° positive locking swivel base with double locking gear.
- New paint process increases resistance to misuse and harsh environments.

Model	EDP No.	Jaw Width	Jaw Opening	Throat Depth	Pipe Capacity	Weight
K55	64055	5-1/2" 14 cm	6-1/2" 17 cm	3-3/16" 8 cm	1/8" - 2" .3 - 5 cm	30 lbs 14 kg
K65	64065	6-1/2" 17 cm	7-1/2" 19 cm	3-3/4" 10 cm	1/8" - 2-1/2" .3 - 6 cm	41 lbs 19 kg
KT4650	64650	6-1/2" 17 cm	7" - 10" 18 - 25 cm	3-3/16" 8 cm	1/8" - 2-1/2" .3 - 6 cm	50 lbs 23 kg
KT4800	64800	8" 20 cm	8" - 11" 20 - 28 cm	3-3/4" 10 cm	1/8" - 3" .3 - 8 cm	74 lbs 34 kg

Made in China

Warranty Information

We believe all Ken-Tool customers should be satisfied with the performance, quality, and workmanship of whatever product they buy. All Ken-Tool products are warranted against defects in materials and workmanship. Any Ken-Tool branded product which fails to perform its intended function, due to a defect in workmanship or materials will, at our option, be replaced or repaired free of charge. **Warranty claims for items that have broken or are no longer useful due to normal wear, misuse, abuse, alteration, grinding, or heating, will not be honored.**

Vises: Vise #64055 (K55) and #64065 (K65) are warranted for a period of one (1) year with proof of purchase. In most cases, the broken or defective part will be replaced free of charge. **In no case will complete vises be warranted without prior authorization.** Professional Reversible Mechanic's Vise #64650 and #64800 have lifetime warranties on their back and front castings and on their base plates. Jaw faces, screws, main vise nuts, and other parts of the vise do wear out and are only warranted for one (1) year.

If your vise is still covered by this warranty, return your vise with proof of purchase (ie: receipt) to the store where you originally purchased the vise. Ken-Tool will issue credit, issue a new vise, or provide parts. If you have any questions regarding this warranty contact Ken-Tool at 330-535-7177.

WARNING

- Misuse of vise can cause serious injury to eyes, hands, limbs, etc.
- To ensure safety, vise must be set up and used properly.
- Before setting up and using, read, understand, and follow all instructions as outlined below.

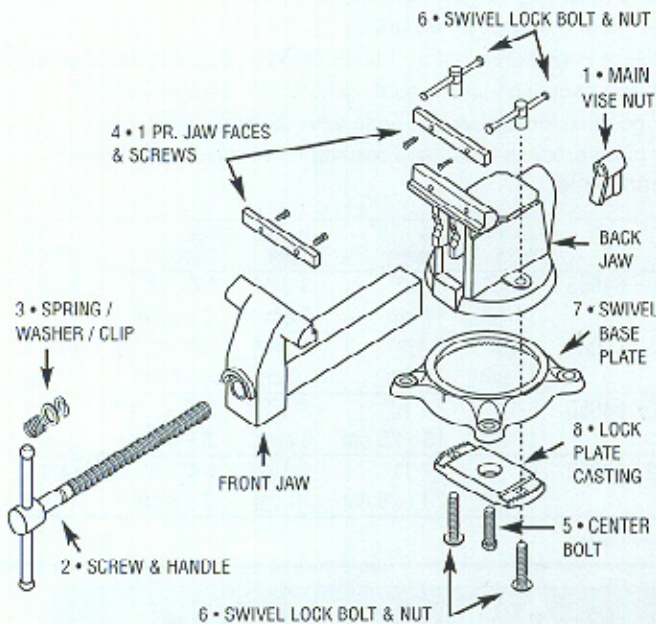
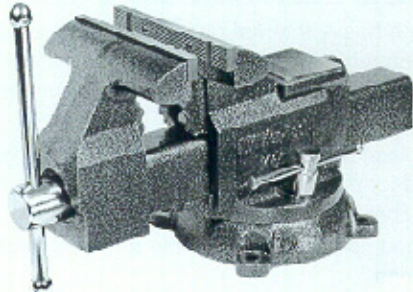
When Setting up Vise

- Use proper size bolts, nuts, lock and flat washers in all base mounting holes. Never weld base of vise to any metal object.
- Only hand tighten swivel base lock down nuts at the sides of the vise.
- Never use a pipe extension to tighten lock nut handles. This can cause the handles to bend and overstress the lock down bolts.
- Make sure the bench top to which the vise is mounted is properly secured.

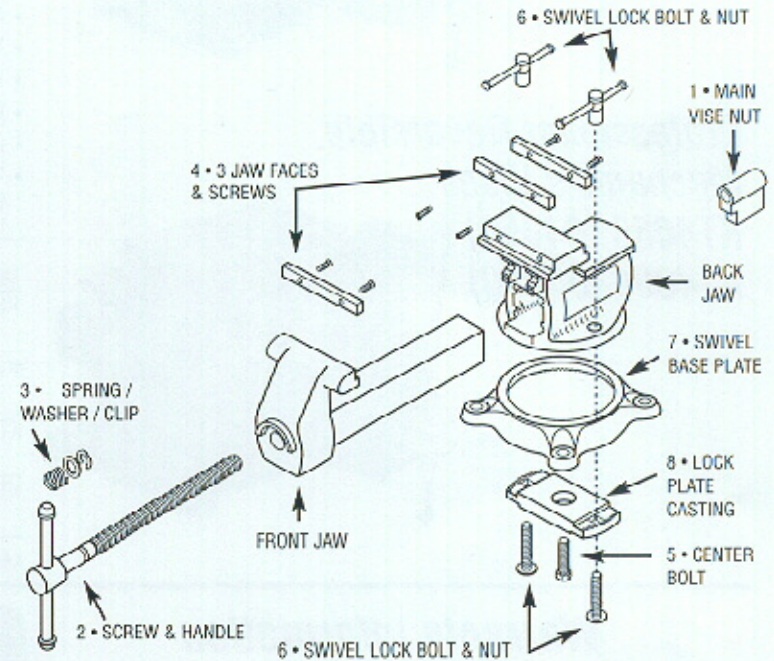
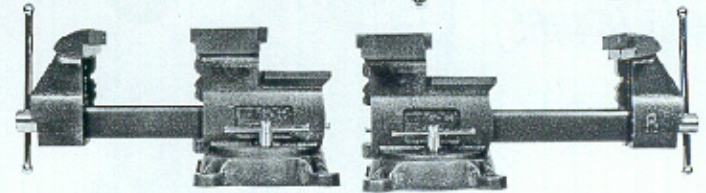
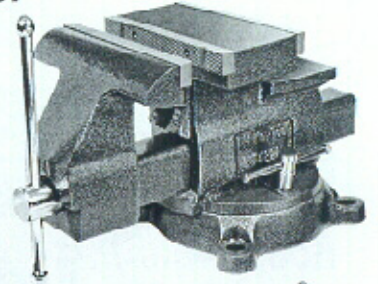
When Using Vise

- Always use vise of proper size and capacity to hold work object.
- Never use a hammer, pipe extension, or cheater bar on spindle handle of vise.
- Never unscrew movable jaw beyond the maximum specified opening of the vise.
- Never use vise as press for assembly or disassembly of objects.
- Always wear eye and face protection when striking vise held objects or when using power tools with a vise.

**Replacement Parts for
K55 (64055) & K65 (64065)
Professional Workshop Vises**



**Replacement Parts for
KT4650 (64650) &
KT4800 (64800)
Professional
Reversible
Mechanic's Vises**



PARTS LIST	MODEL:	K55	K65	KT4650	KT4800
	EDP NO.:	64055	64065	64650	64800
1 Main Vise Nut		15501	16501	14651	14651
2 Screw / Handle Assembly		15502	16502	14652	14802
3 Spring Washer, Clip		15503	14653	14653	14653
4 Jaw Faces / Screws		15505	16505	14655	14805
5 Center Bolt		15506	15506	14656	14656
6 Lock Bolt / Nut / Handle Assembly		15507	15507	14657	14657
7 Swivel Base Plate		15508	16508	14658	14808
8 Lock Plate Casting		15509	16509	14659	14809

To order replacement parts contact the Ken-Tool Customer Service Dept.
8:00 A.M. to 4:30 P.M. at: 330-535-7177



E-mail: sales@kentool.com, Visit our web page: www.kentool.com
768 E. North Street, P.O. Box 9320, Akron, Ohio 44305 Phone 330-535-7177, Fax: 330-535-1345